

B810(強固型)



NEW

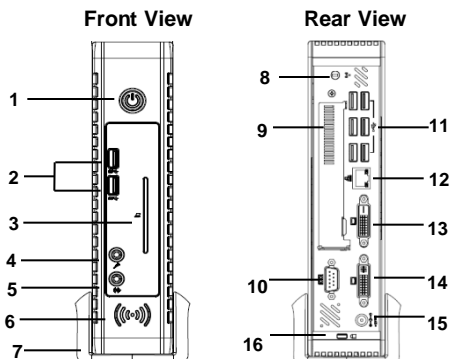
High performance with Intel Celeron Quad Core processor, 1 x LAN, 8 x USB, 2 x DVI, 1 x COM, 22pin SATA, mSATA connector, optional smart card reader and WiFi

Feature

- Designed with Intel Bay Trail platform
- Supports dual DVI (alternative to dual DP)
- Supports two USB 3.0 ports and six USB 2.0 ports
- PCIe x 1 slot expansion (alternative to one serial port and one parallel port)
- Internal Mini PCIe slot for WiFi module (WiFi kits optional)
- Internal USB for smart card reader (SCR kits optional)
- Supports VESA mount bracket (optional)
- **All in one motherboard and Fanless Design(整機無風扇設計)**

Specification	Model	B810(簡易型雲端工作站電腦)	
Processor	CPU	Intel Celeron J1900 Quad Core 2GHz	
Memory	RAM	Provide 4GB , One SO-DIMM socket for DDR3L 1333MHz RAM up to 8GB	
Display	Resolution	up to 1920 x1200	
	Graphic Engine	Intel Gen7	
Audio	Speaker	x1 (Built-in 1W internal speaker)	
Storage		x1 22pin SATA connector ,Provide 32GB SATA SSD (SATA Slim) x1 mSATA connector	
I/O Physical	DVI-I	x1 (alternative to DP)	
	DVI-D	x1 (alternative to DP)	
	USB 3.0	x2 (front x2)	
	USB 2.0	x6 (rear x6)	
	Mic-in , Line-out	X1 , X1	
	COM	x1	
Networking	LAN	x1 (RJ-45, 10/100/1000 Base-T)	
	WLAN	(Optional, mini-PCIe interface)	
	Smart Card Reader	(Optional)	
Other Expansion	Riser Card	x1 (PCIe x 1)	
	COM & LPT	(Optional, alternative to riser card)	
Environment	Temperature	Operation 32° to 95° F (0° to 35° C) Storage -4° to 140° F (-20° to 60° C)	
	Relative Humidity	20% to 80% non-condensing	
Power	Power Supply	48W, DC 12V/4A external power adapter	
Mounting	Foot Stand	Vertical	
	VESA Bracket	(Optional)	
Security	Kensington Lock	Yes	
OS support		WES7中文版、Win10 IOT Enterprise 中文版 授權，提供作業系統異動密碼保護及故障即時復原功能，內建VX_Client、RPMXP_Client 代理程式	
Physical Characteristics	Chassis Housing	Plastic and metal	
	Dimension	Terminal	57 (W) x 210 (H) x 230 (D) mm
		Packing : Single Box	85 (W) x 360 (H) x 296 (D) mm
	Packing : Carton	608 (W) x 395 (H) x 455 (D) mm, 10 in 1	
Regulatory Compliance		CE/ FCC/BSMI	

Drawing



- | | |
|--------------------------------------|---------------------|
| 1. Power button | 9. PCIe slot |
| 2. USB 3.0 | 10. COM |
| 3. Smart card reader slot (optional) | 11. USB 2.0 |
| 4. Mic-in | 12. RJ45 |
| 5. Line-out | 13. DVI-D |
| 6. Speaker | 14. DVI-I |
| 7. Cradle | 15. DC jack |
| 8. Reserve hole for external antenna | 16. Kensington lock |

Specifications subject to change without notice.

